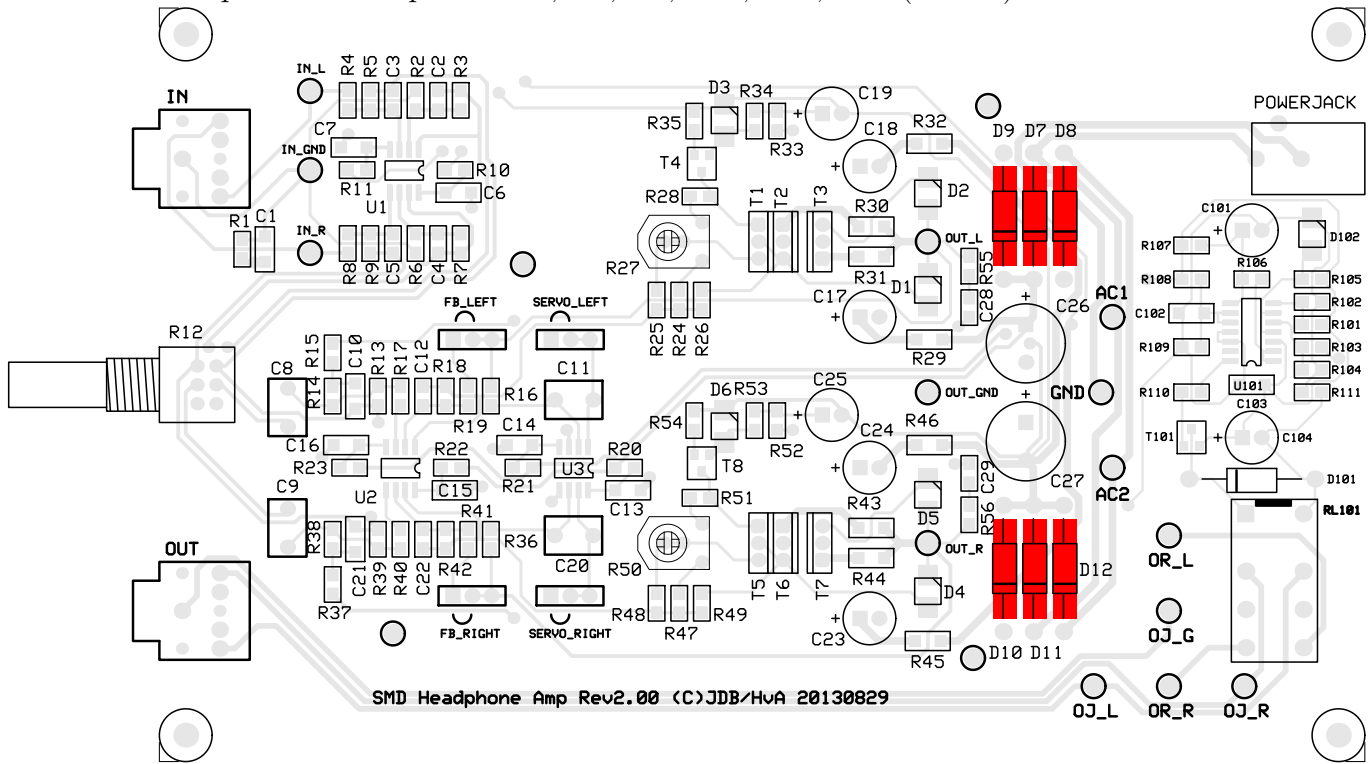


Device	Value	Qty	Identifier(s)
1N4007	-	6	D7, D8, D9, D10, D11, D12
BC850C	-	2	T4, T8
BOURNS-3306F	2k	2	R27, R50
CAP-FILM-PE-7.2x5mm	1u	4	C8, C9, C11, C20
CAPPOL-10mm	470u-25V	2	C26, C27
CAPPOL-6.3mm	100u-25V	6	C17, C18, C19, C23, C24, C25
CC0805	100p	8	C2, C3, C4, C5, C12, C22, C28, C29
CC1206	100n	9	C1, C6, C7, C10, C13, C14, C15, C16, C21
CUI-SJ1-3555NG	-	2	OUT, IN
KSA1220AYS	-	2	T3, T7
KSC2690AYS	-	4	T1, T2, T5, T6
LED-RED-PLCC2	-	6	D1, D2, D3, D4, D5, D6
NE5532AD	-	2	U1, U2
PINHEADER-3x1	-	4	FB-RIGHT, SERVO-RIGHT, FB-LEFT, SERVO-LEFT
PIN-1mm	-	13	OUT-GND, GND, OUT-R, OUT-L, IN-L, IN-GND, IN-R, PROBEGND1, AC1, PROBEGND2, AC2, PROBEGND3, PROBEGND4
RC0805	12R	11	R1, R10, R11, R20, R21, R22, R23, R26, R49, R55, R56
RC0805	220R	4	R17, R35, R40, R54
RC0805	1k	10	R2, R4, R6, R8, R19, R24, R28, R41, R47, R51
RC0805	4k7	10	R3, R5, R7, R9, R25, R33, R34, R48, R52, R53
RC0805	100k	10	R13, R14, R15, R16, R18, R36, R37, R38, R39, R42
RC1206-MELF	3R3	8	R29, R30, R31, R32, R43, R44, R45, R46
RK09712200MC	10k	1	R12
TL072CD	-	1	U3

Device 1N4007.

Total number of components: 6

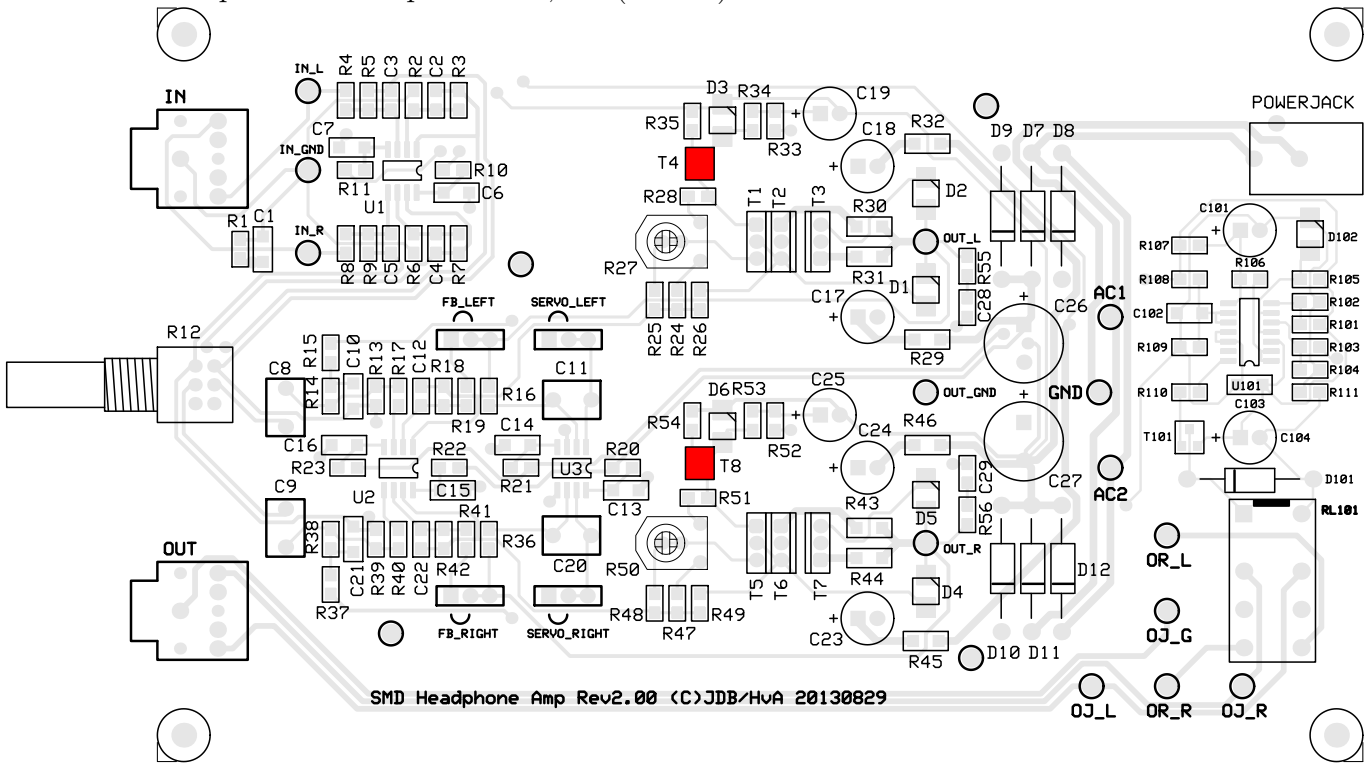
Components on top side: D7, D8, D9, D10, D11, D12 (6 total).



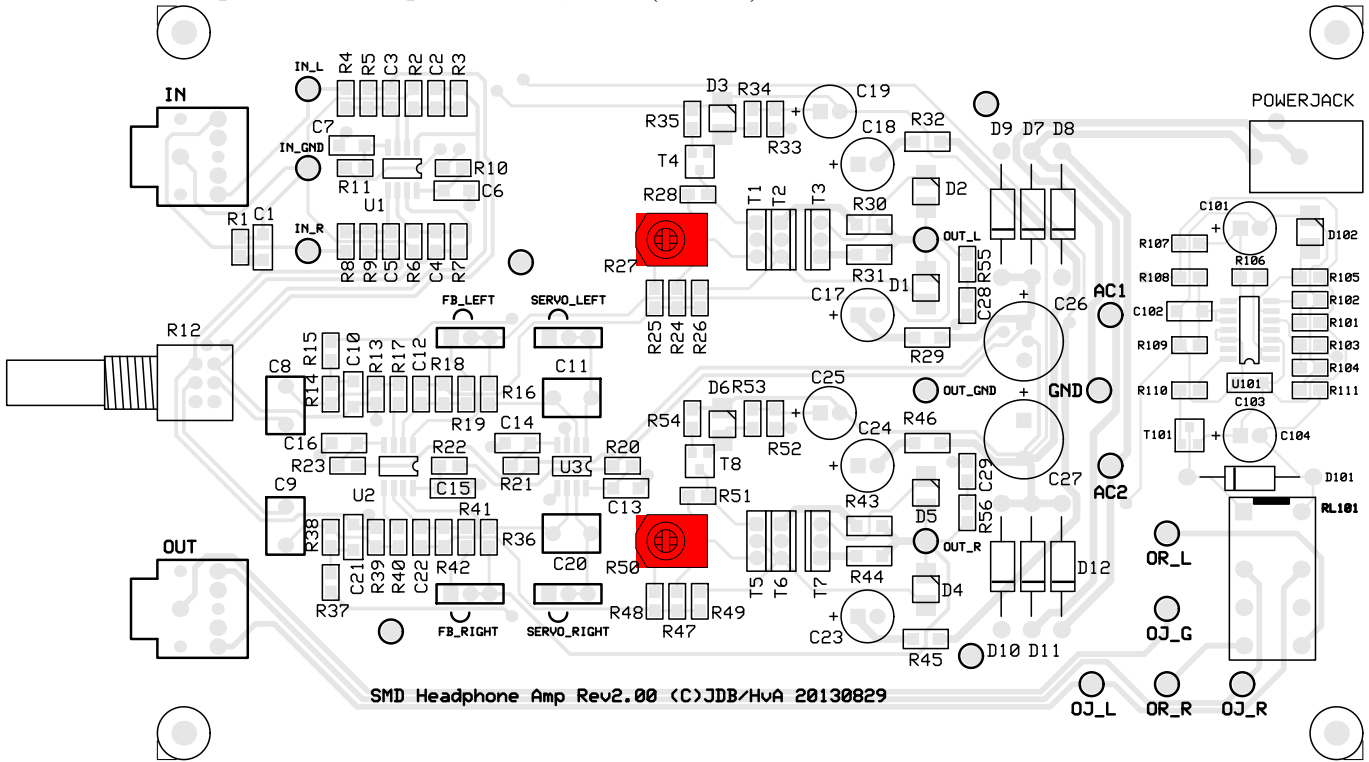
Device BC850C.

Total number of components: 2

Components on top side: T4, T8 (2 total).



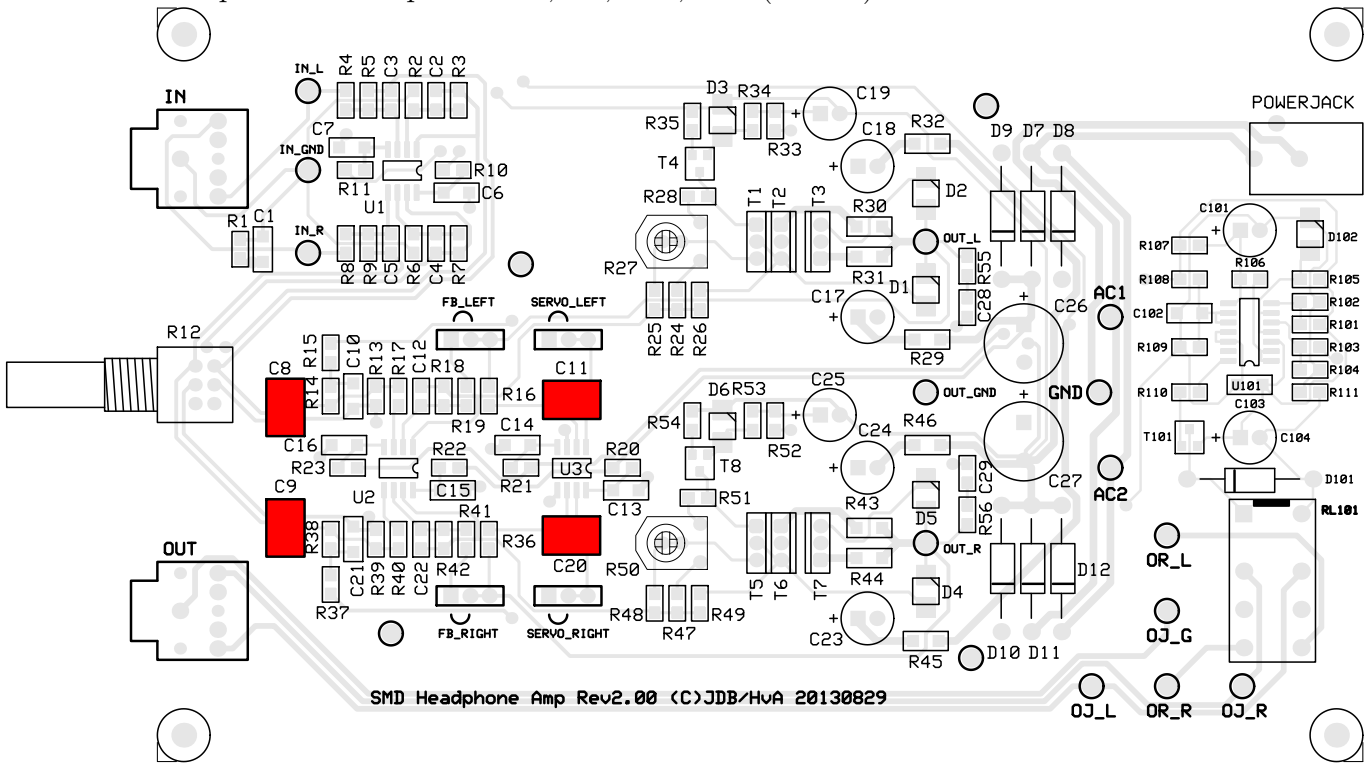
Device BOURNS-3306F; value 2k.
Total number of components: 2
Components on top side: R27, R50 (2 total).



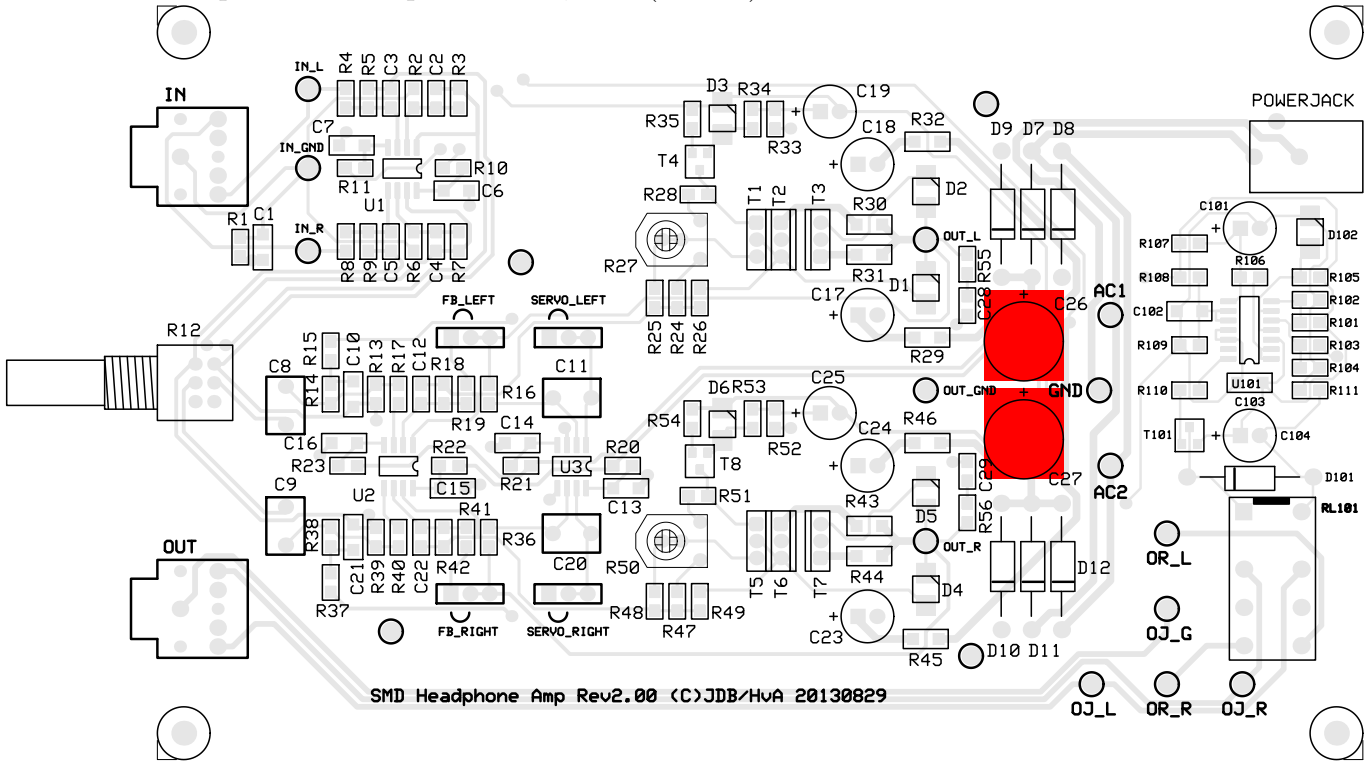
Device CAP-FILM-PE-7.2x5mm; value 1u.

Total number of components: 4

Components on top side: C8, C9, C11, C20 (4 total).



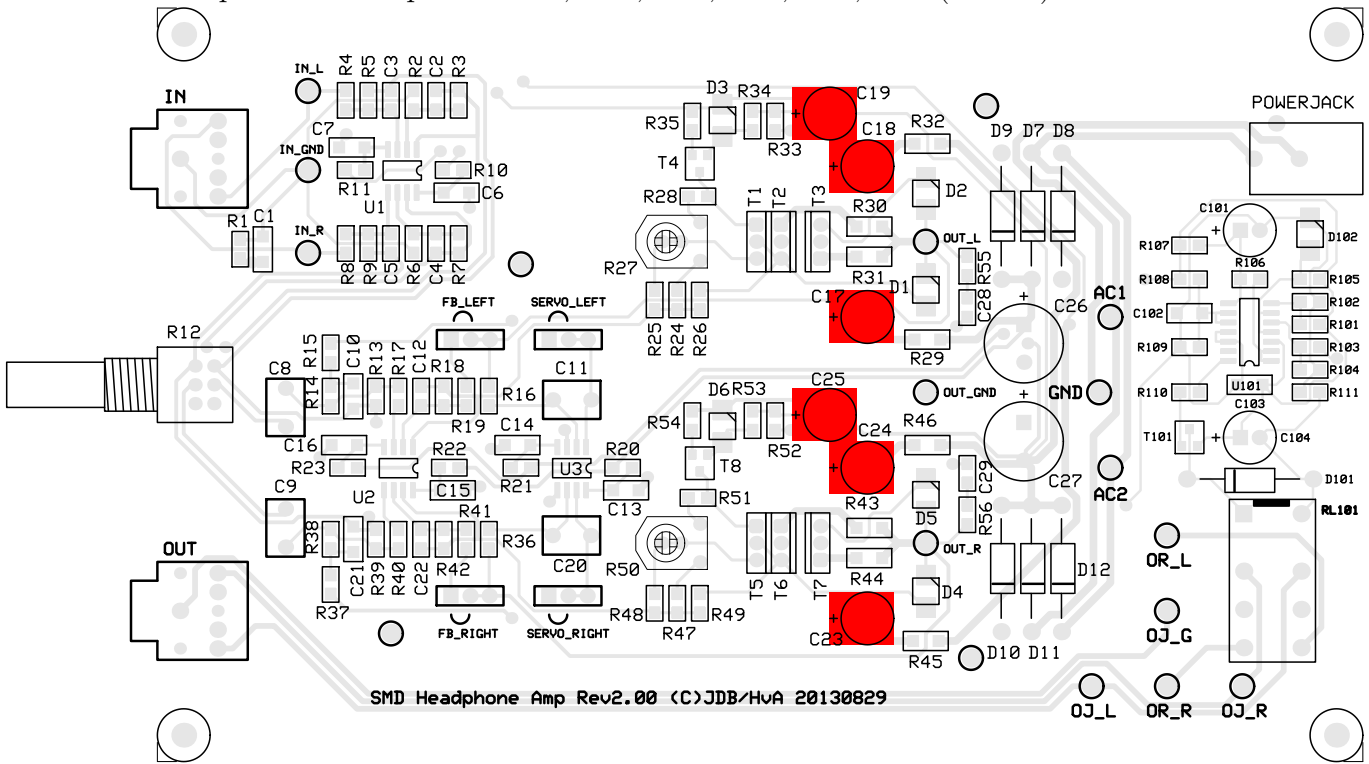
Device CAPPOL-10mm; value 470u-25V.
Total number of components: 2
Components on top side: C26, C27 (2 total).



Device CAPPOL-6.3mm; value 100u-25V.

Total number of components: 6

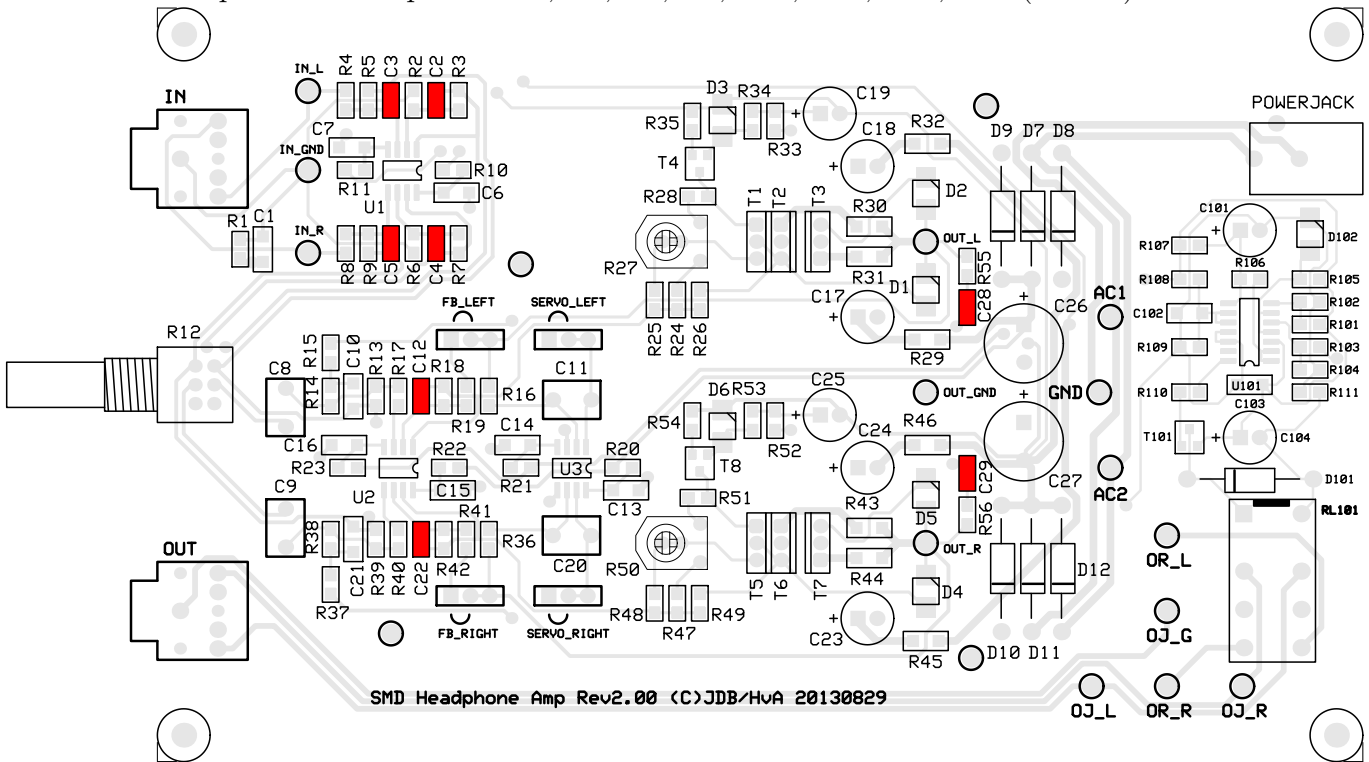
Components on top side: C17, C18, C19, C23, C24, C25 (6 total).



Device CC0805; value 100p.

Total number of components: 8

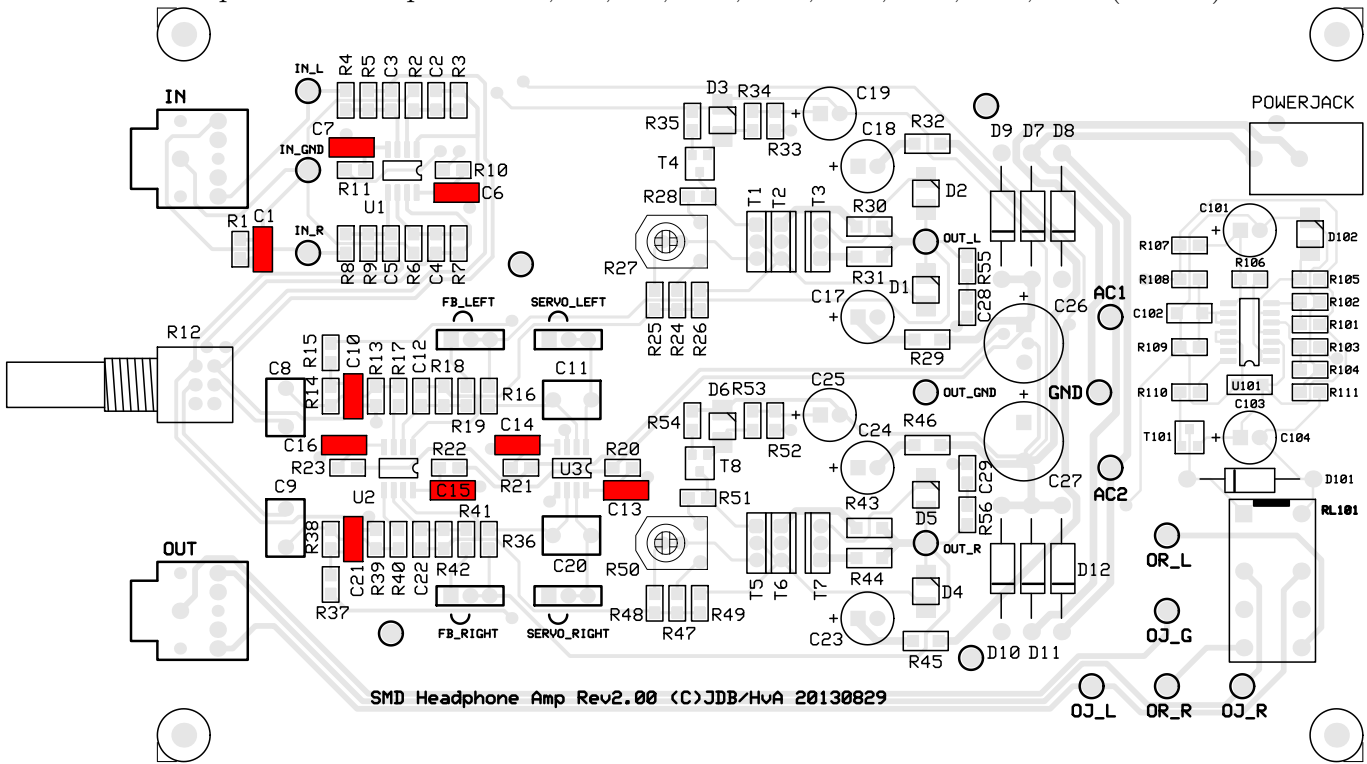
Components on top side: C2, C3, C4, C5, C12, C22, C28, C29 (8 total).



Device CC1206; value 100n.

Total number of components: 9

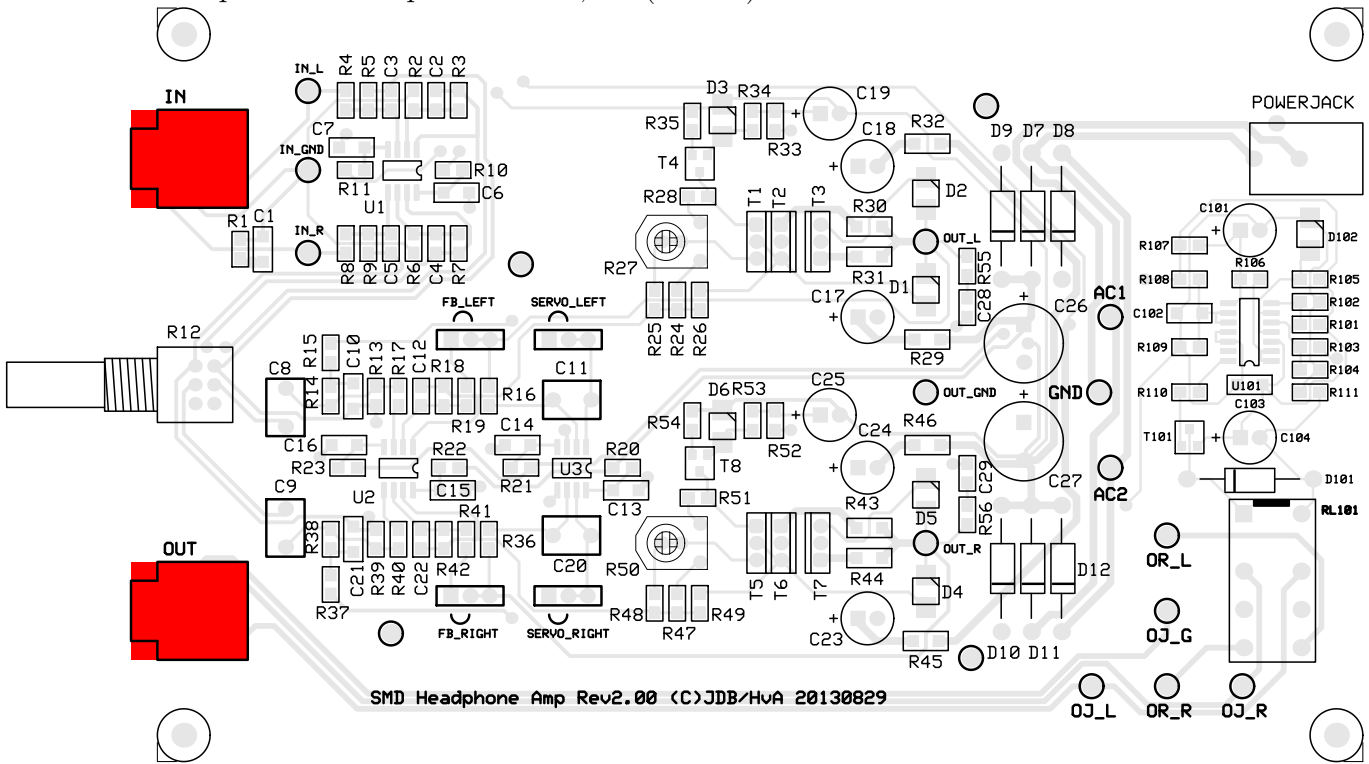
Components on top side: C1, C6, C7, C10, C13, C14, C15, C16, C21 (9 total).



Device CUI-SJ1-3555NG.

Total number of components: 2

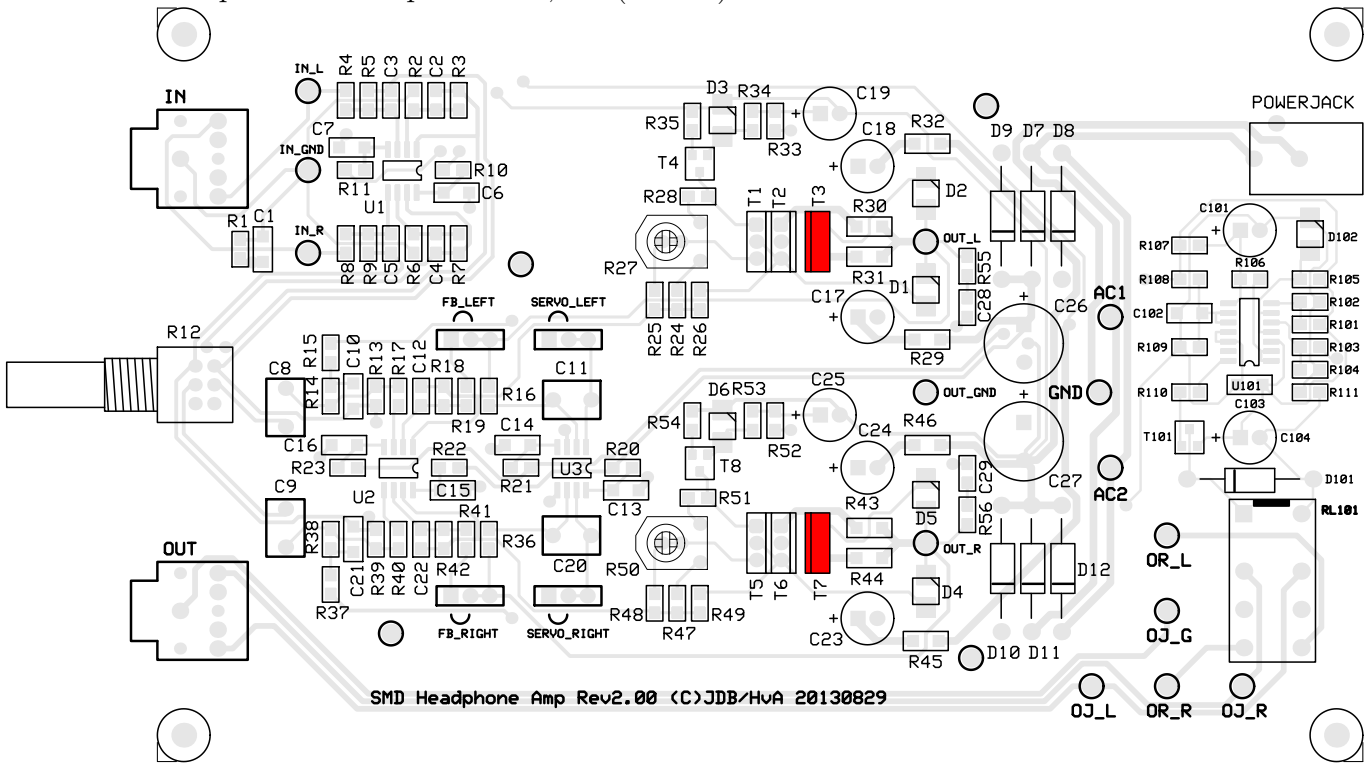
Components on top side: OUT, IN (2 total).



Device KSA1220AYS.

Total number of components: 2

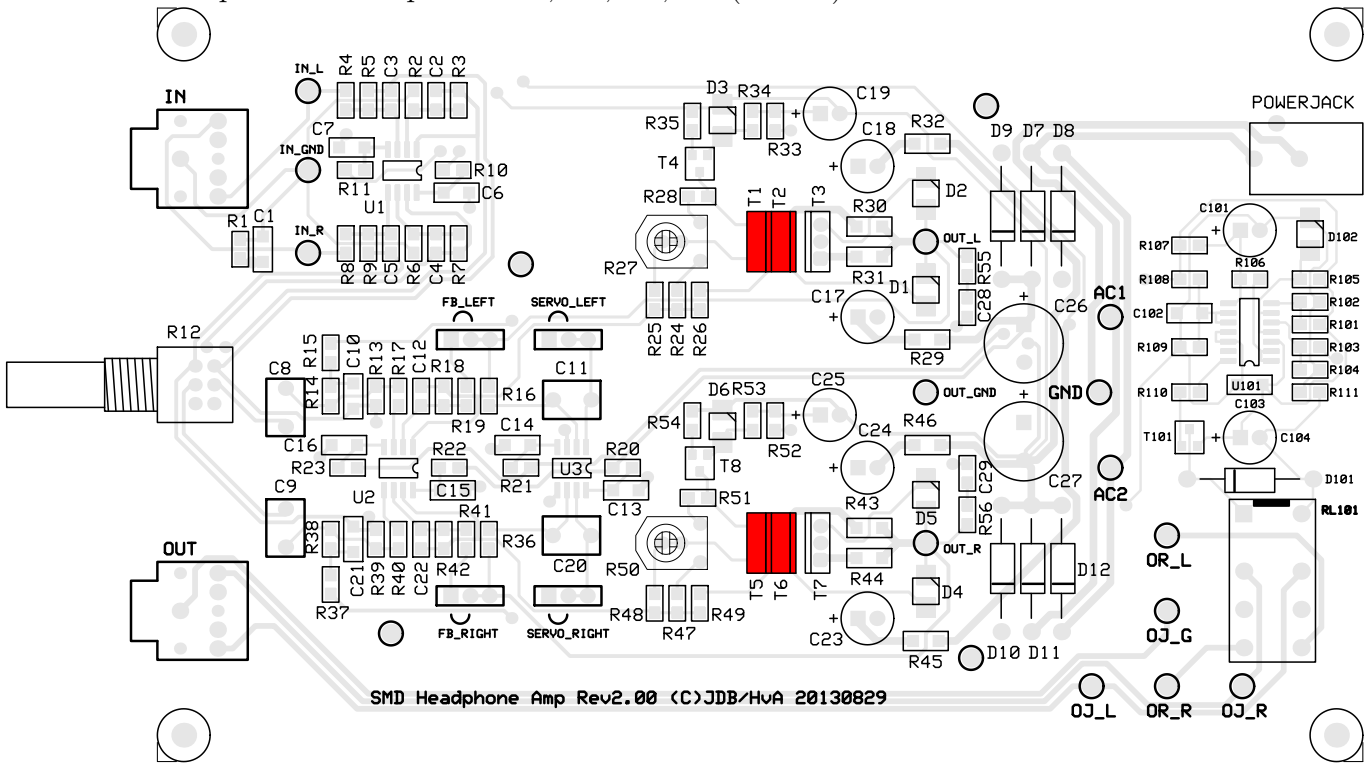
Components on top side: T3, T7 (2 total).



Device KSC2690AYS.

Total number of components: 4

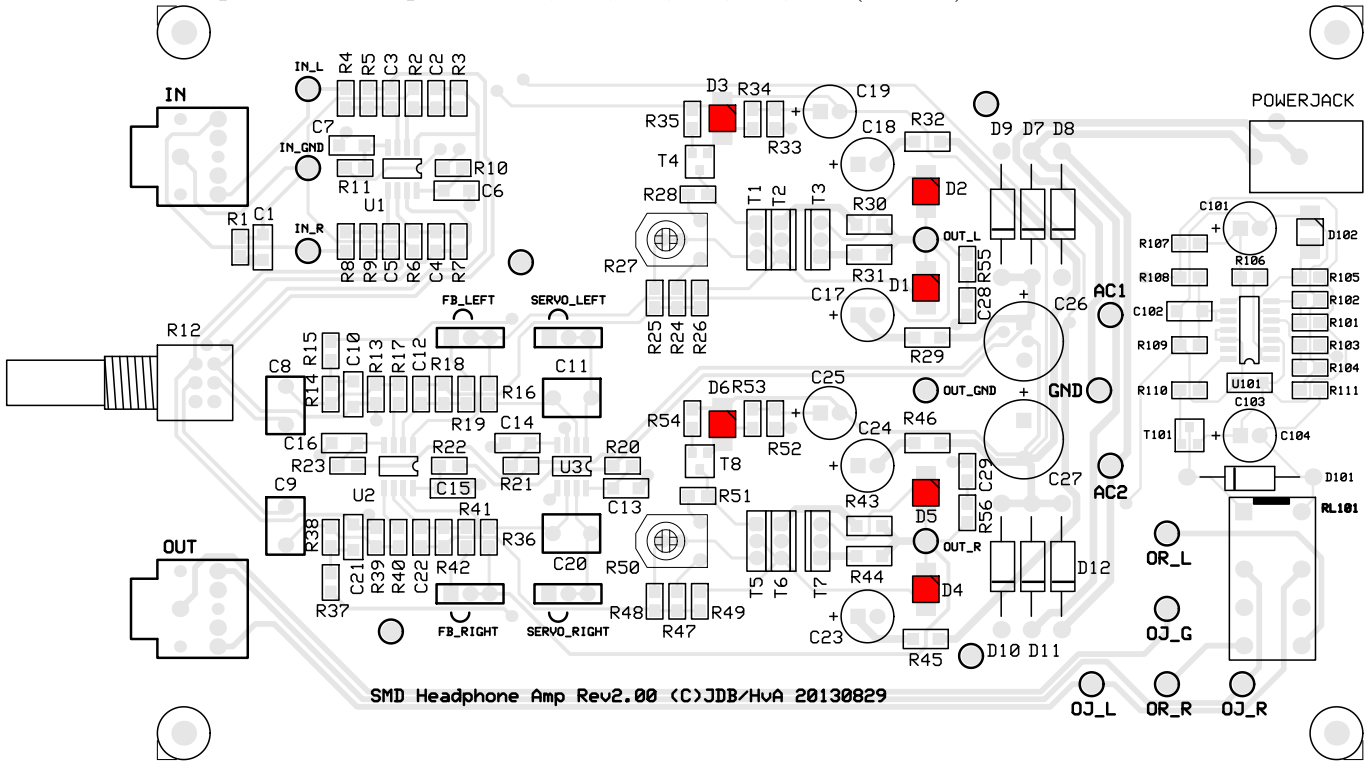
Components on top side: T1, T2, T5, T6 (4 total).



Device LED-RED-PLCC2.

Total number of components: 6

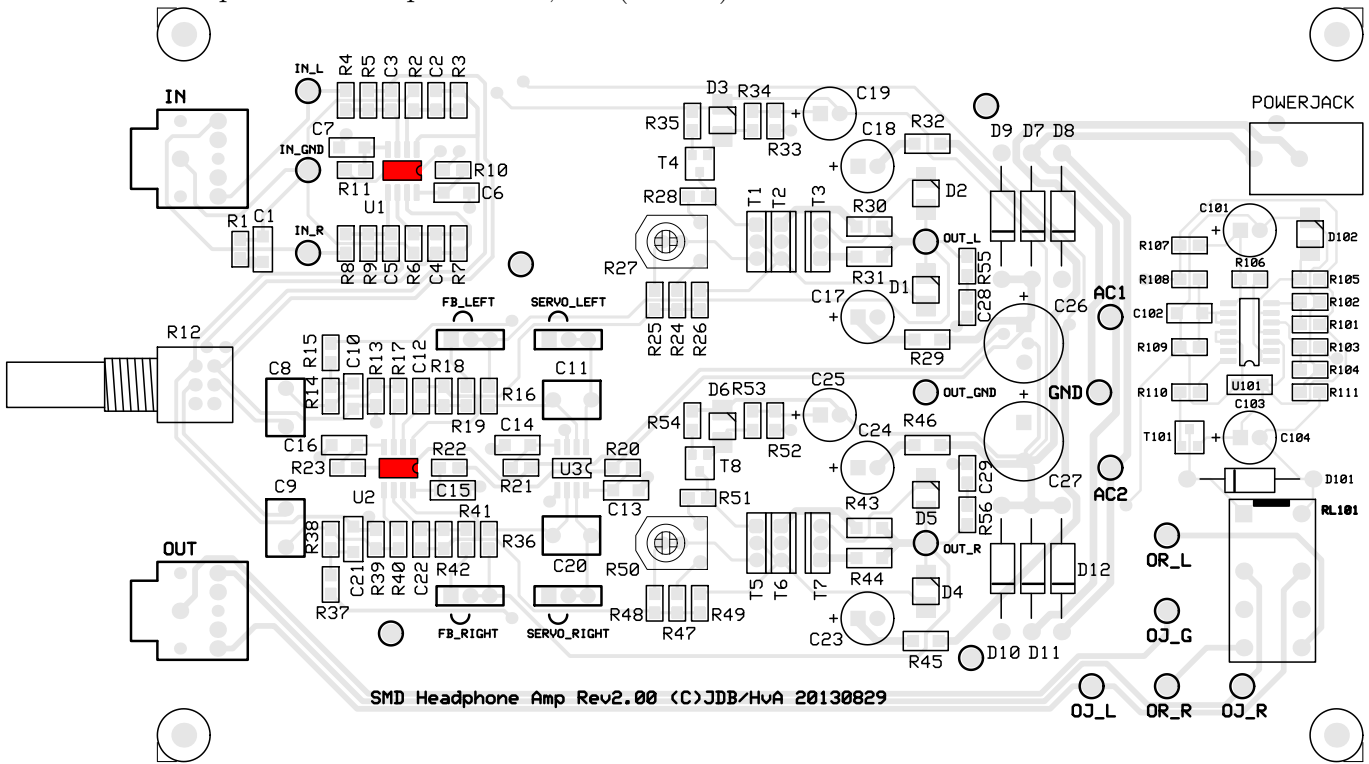
Components on top side: D1, D2, D3, D4, D5, D6 (6 total).



Device NE5532AD.

Total number of components: 2

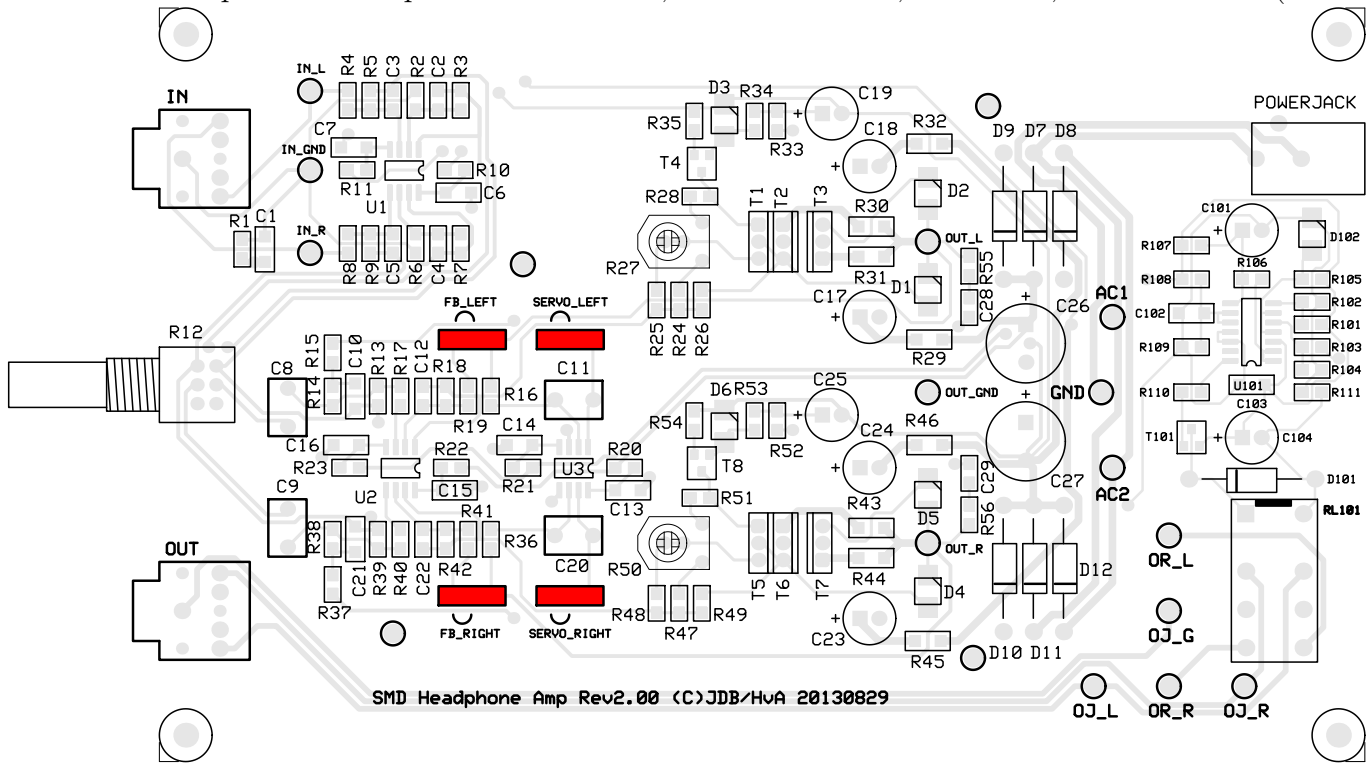
Components on top side: U1, U2 (2 total).



Device PINHEADER-3x1.

Total number of components: 4

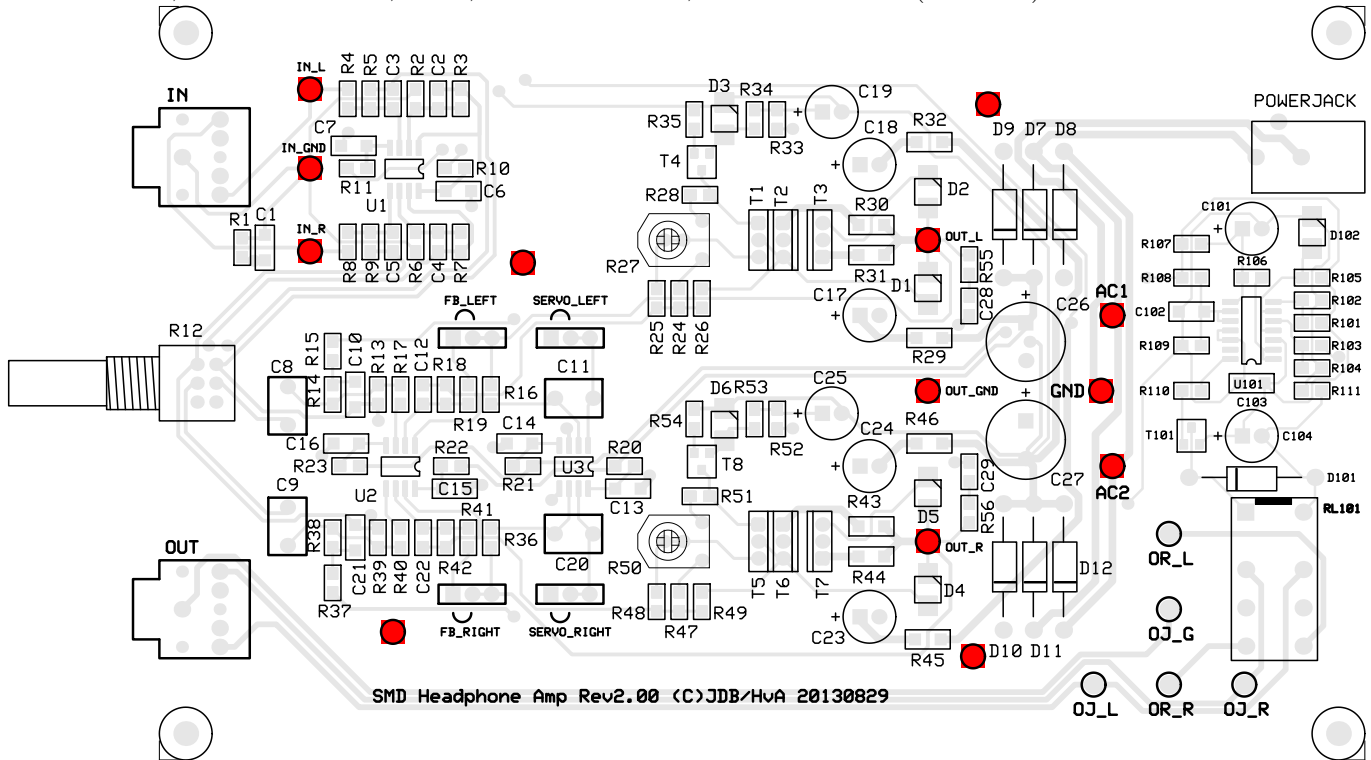
Components on top side: FB-RIGHT, SERVO-RIGHT, FB-LEFT, SERVO-LEFT (4 total).



Device PIN-1mm.

Total number of components: 13

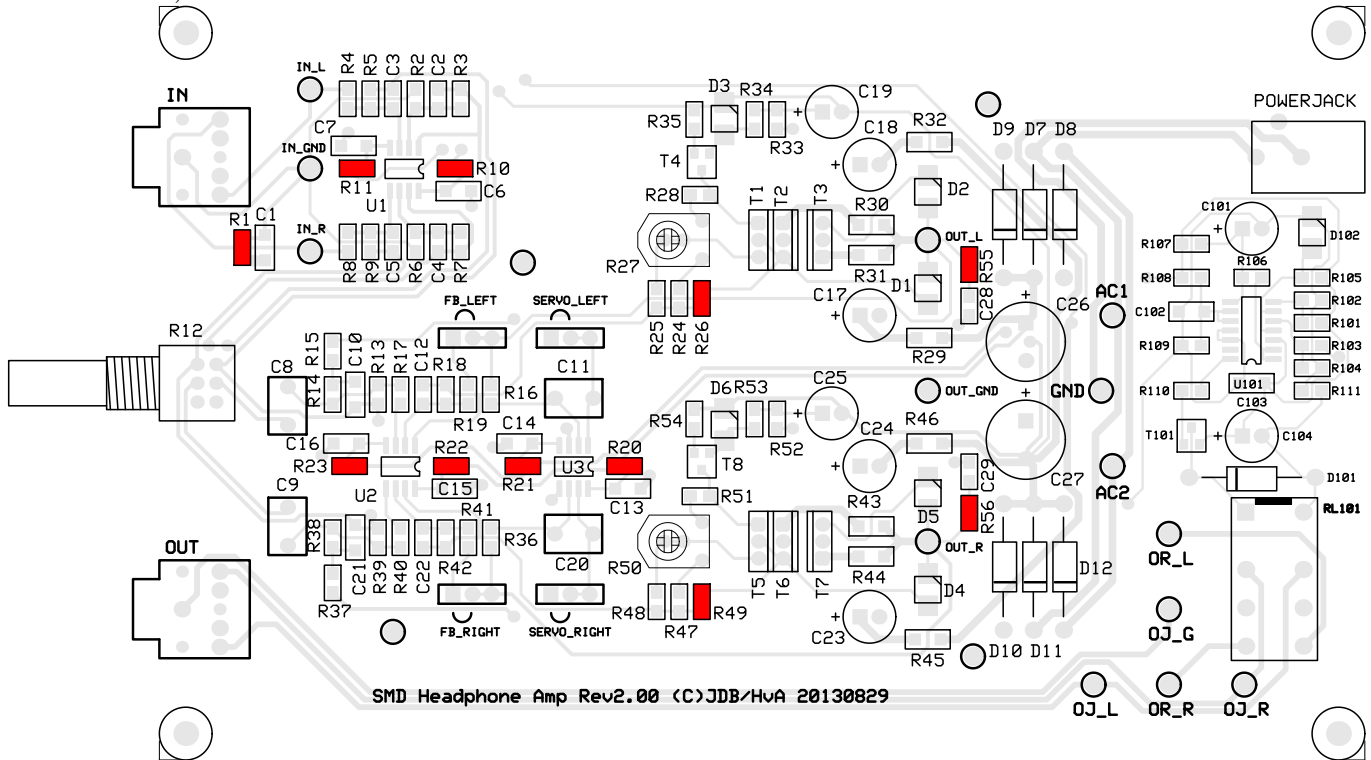
Components on top side: OUT-GND, GND, OUT-R, OUT-L, IN-L, IN-GND, IN-R, PROBE GND1, AC1, PROBE GND2, AC2, PROBE GND3, PROBE GND4 (13 total).



Device RC0805; value 12R.

Total number of components: 11

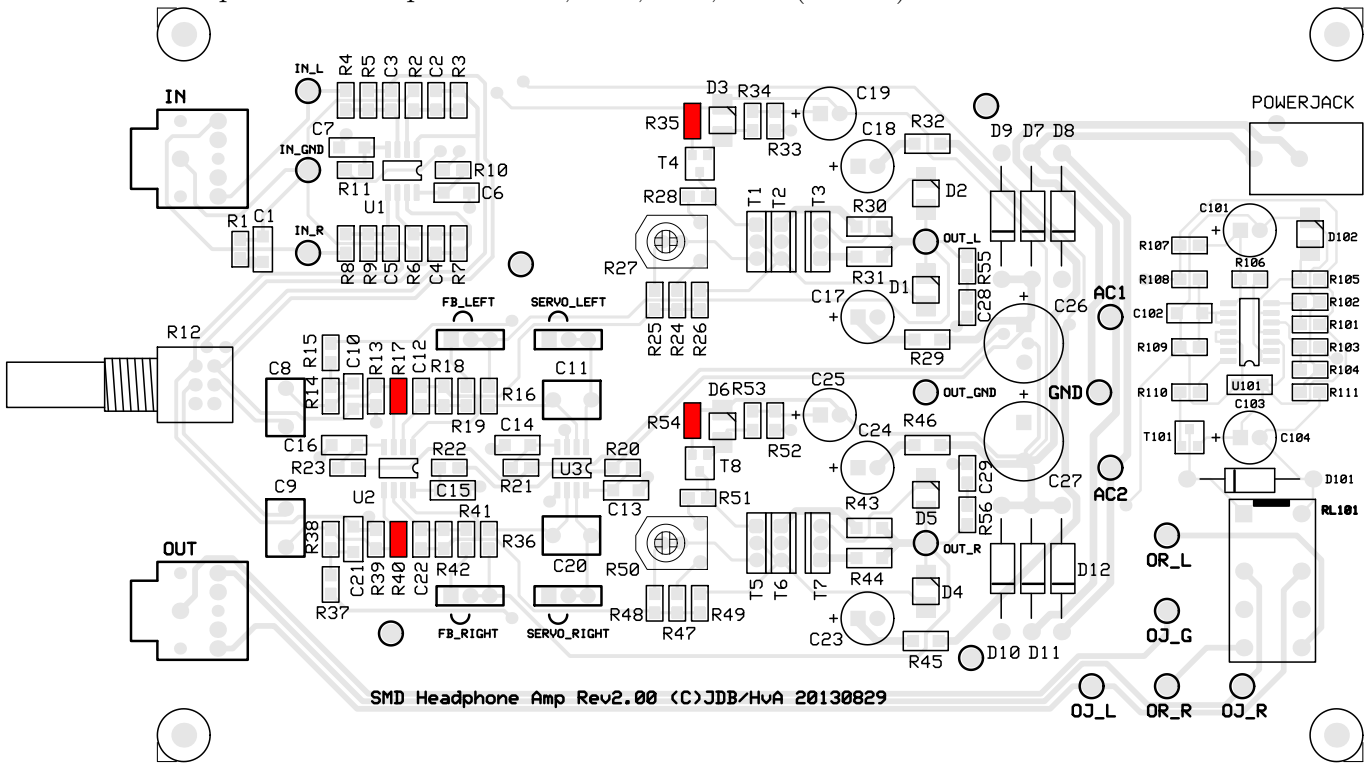
Components on top side: R1, R10, R11, R20, R21, R22, R23, R26, R49, R55, R56 (11 total).



Device RC0805; value 220R.

Total number of components: 4

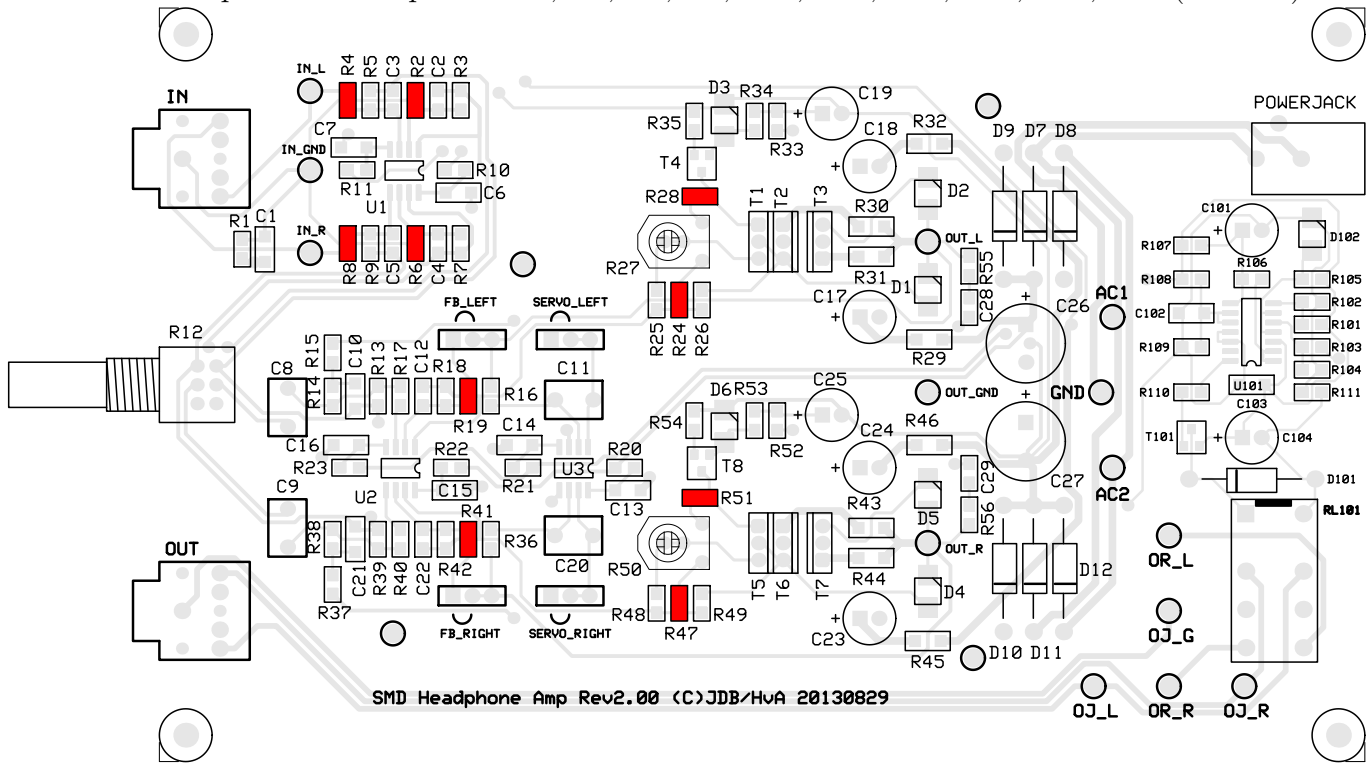
Components on top side: R17, R35, R40, R54 (4 total).



Device RC0805; value 1k.

Total number of components: 10

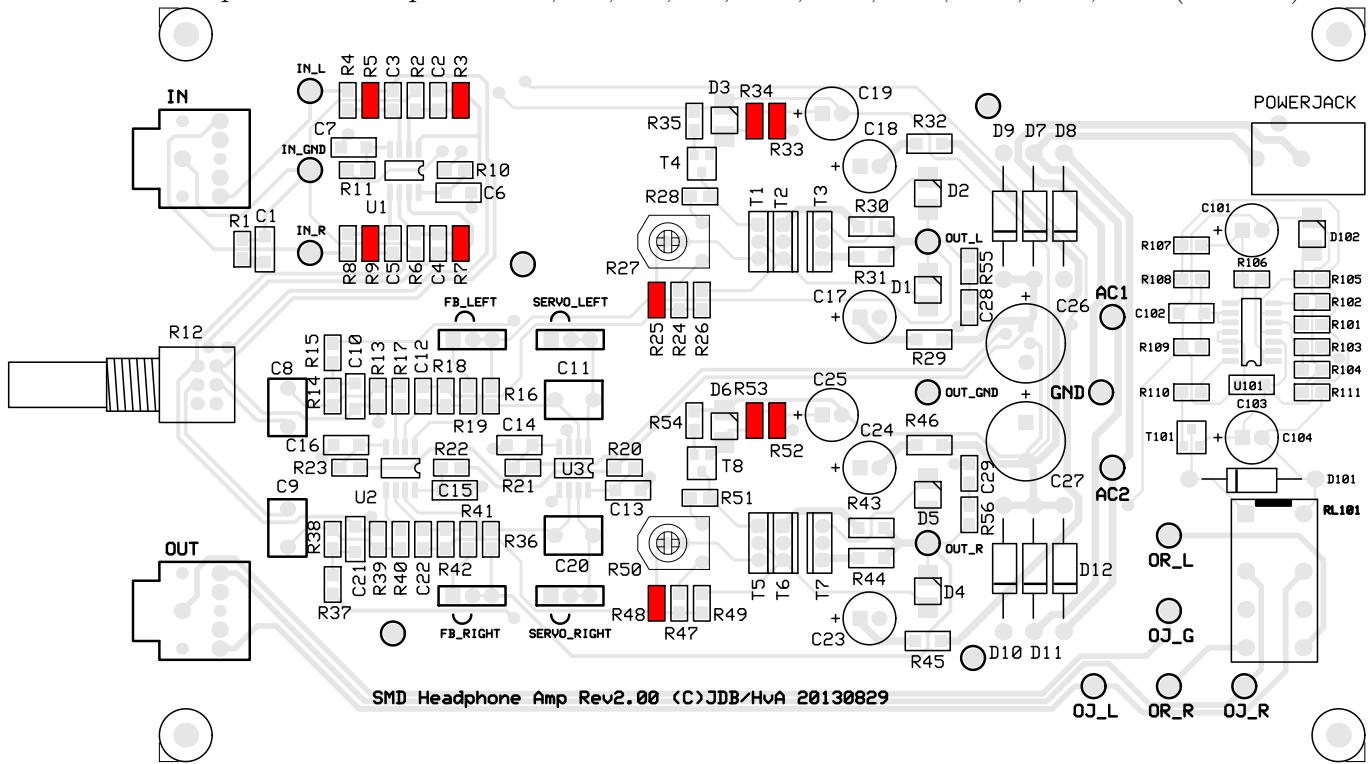
Components on top side: R2, R4, R6, R8, R19, R24, R28, R41, R47, R51 (10 total).



Device RC0805; value 4k7.

Total number of components: 10

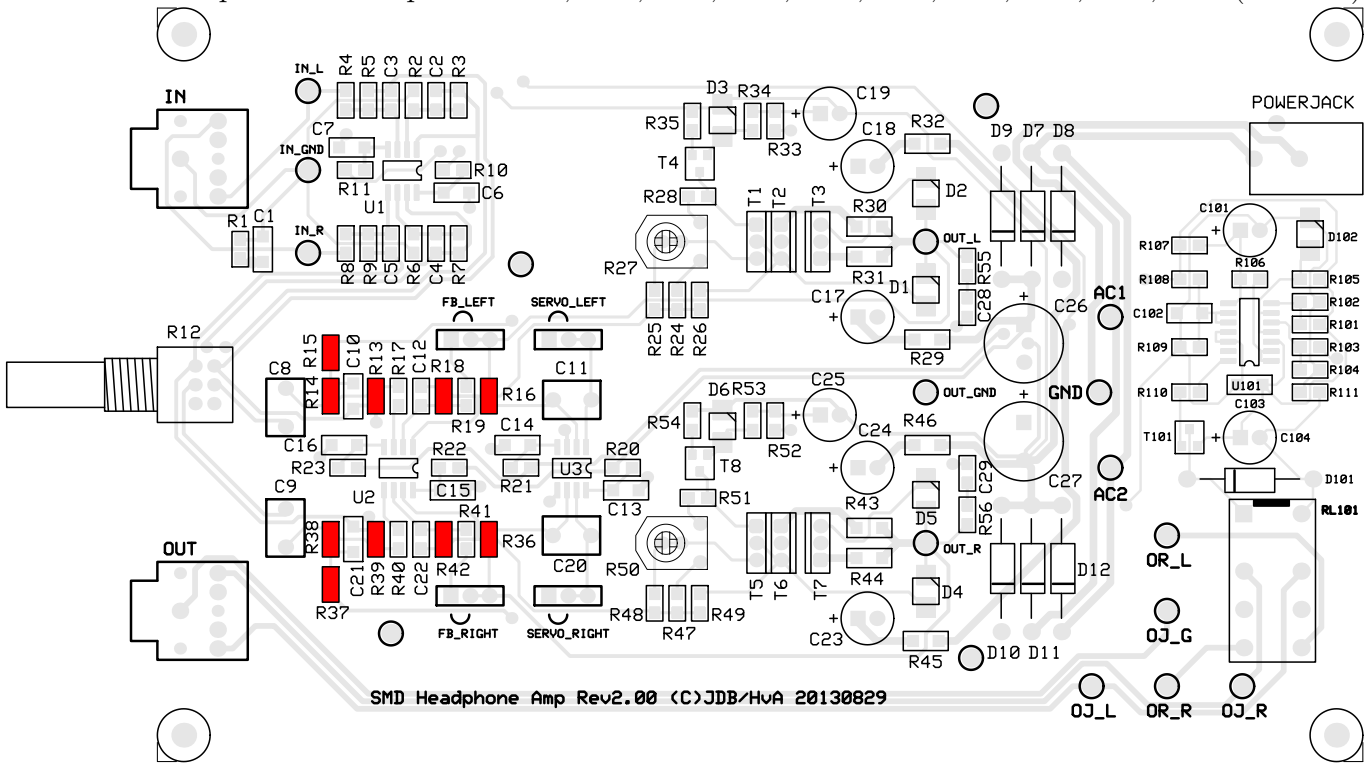
Components on top side: R3, R5, R7, R9, R25, R33, R34, R48, R52, R53 (10 total).



Device RC0805; value 100k.

Total number of components: 10

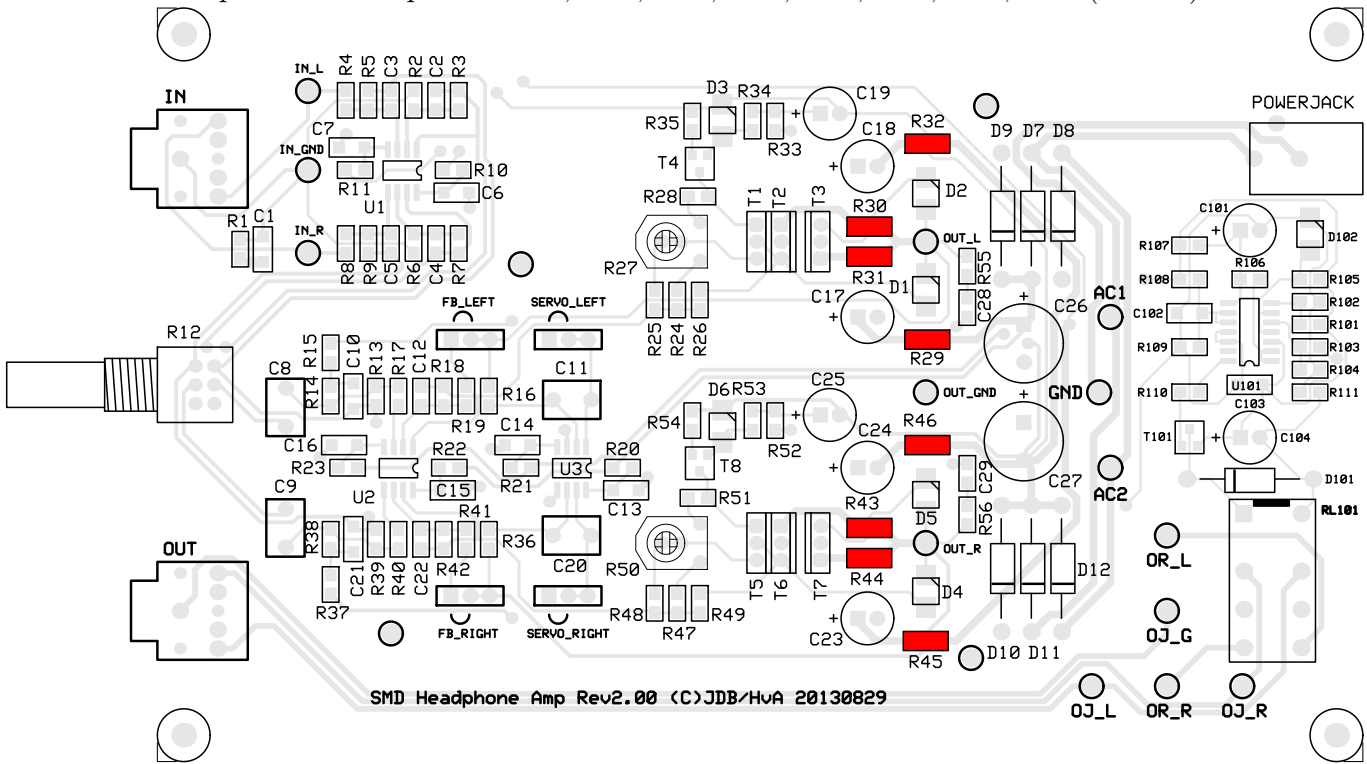
Components on top side: R13, R14, R15, R16, R18, R36, R37, R38, R39, R42 (10 total).



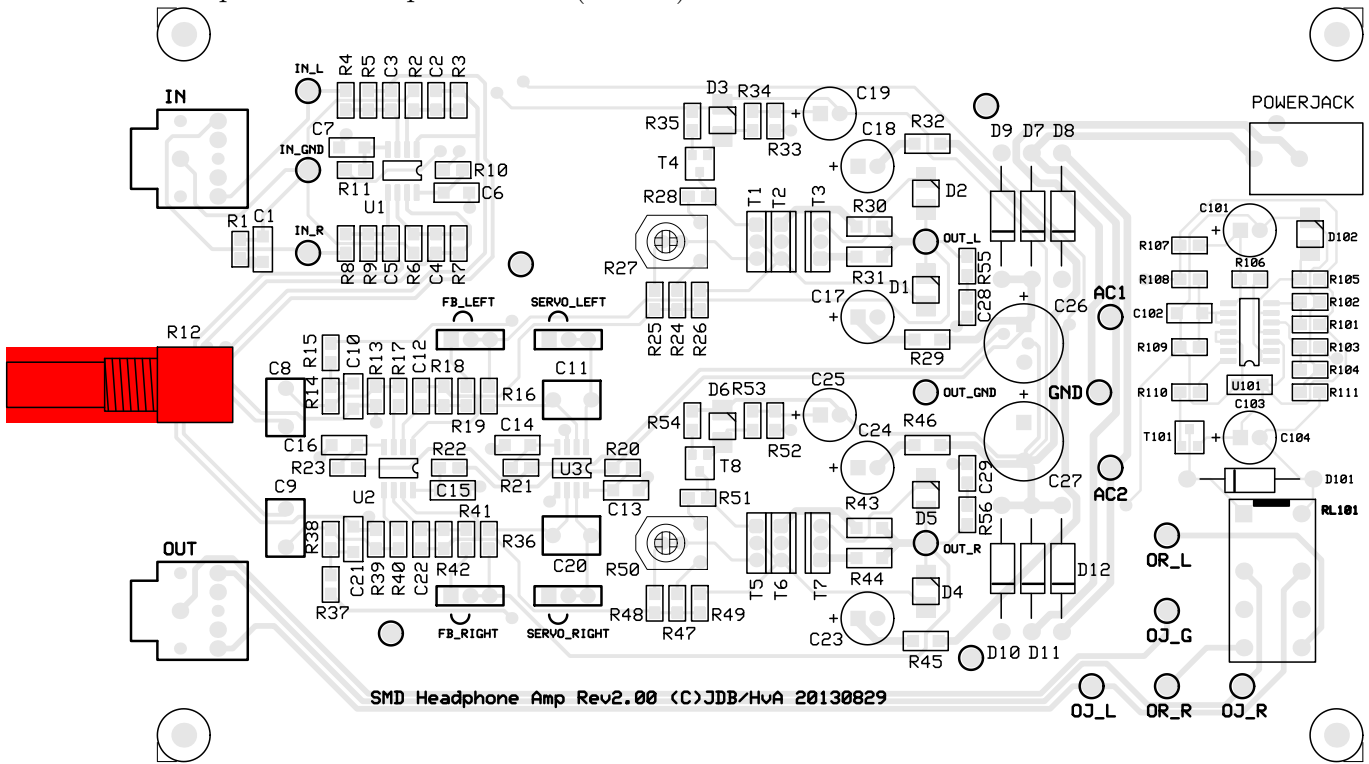
Device RC1206-MELF; value 3R3.

Total number of components: 8

Components on top side: R29, R30, R31, R32, R43, R44, R45, R46 (8 total).



Device RK09712200MC; value 10k.
Total number of components: 1
Components on top side: R12 (1 total).



Device TL072CD.

Total number of components: 1

Components on top side: U3 (1 total).

